

H PLANERS - THICKNESSERS



English



RF **ROBLAND**[®]
MADE IN BELGIUM

TABLE OF CONTENTS

About Robland	3 - 5
NXSD310	6
NXSD410	7
SD410	8
SD510	9
D510	10
D630	11
S410	12
J510	13
Differences NXSD & SD SERIES	14
Strengths	15
Cutter blocks	16
Options	17 - 18
LBM	19
Selection criteria	20 - 21
Robland machines overview	22 - 23
Disclaimer & contact details	24



MADE IN BELGIUM

SINCE 1968

ROBLAND is a privately owned Belgian company, that was founded in 1968 by Robert Landuyt. The first successes were achieved by building affordable qualitative universal woodworking machines, a large part of which are still in use today.

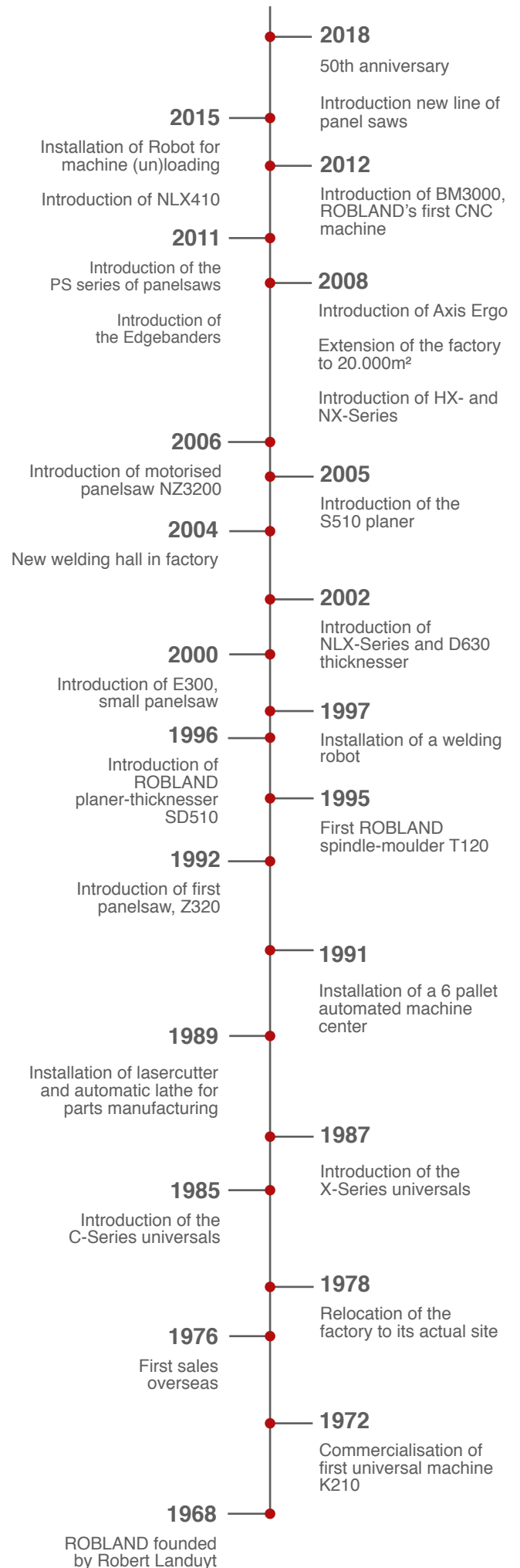
We do have all resources and competencies in house for product development, parts manufacturing, product assembly, sales and after sales support.

With our state of the art, highly automated, parts manufacturing machines we are able to remain cost effective while manufacturing in Belgium near the historical city of Bruges. Although our machines will last for years, this is not enough for us. A quality service and after sales support is key to ROBLAND's success. As we manufacture all machine parts ourselves, you can rely on spare parts always being rapidly available.

Our company mission is to offer woodworking machines with the best quality/price ratio to the high end Do-It-Yourself market and to the small and medium-sized enterprise market.

Our product portfolio, aimed at the second wood processing, includes panel saws, table saws, universal machines, planers, thicknessers, spindle moulders, horizontal mortisers, a semi-automatic boring machine, a CNC boring machine, edgebanders and dust extraction systems.

We have an international dealer network and currently export over 85% of our production worldwide to more than 100 countries. In its 20.000 m² large factory ROBLAND employs over 80 people.



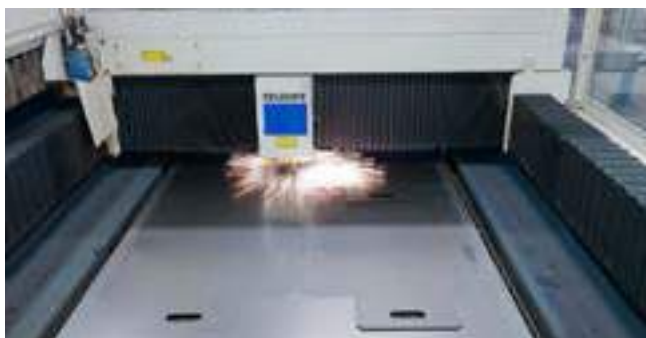
PRODUCTION



Surface scraping of cast iron table



Raw steel bars



Steel plate laser cutting



Milling of drive roll



Computer assisted steel plate bending



Machining parts



Welding of frame



Machining parts



Powder coating



Part picking by robot

SUBASSEMBLY



ASSEMBLY



LEVELLING AND ALIGNMENT OF THE TABLES



NXSD310



NXSD310 with options

NXSD310 Technical Data

Weight	280 kg
Voltage	230 V Mono
	230 V - 3 Phase
	400 V - 3 Phase
Motor power 3 phase (S6)	3,72 kW / 5 hp
Motor power single phase (S6)	2,2 kW / 3 hp
Dust suction outlet	100 mm

Planer

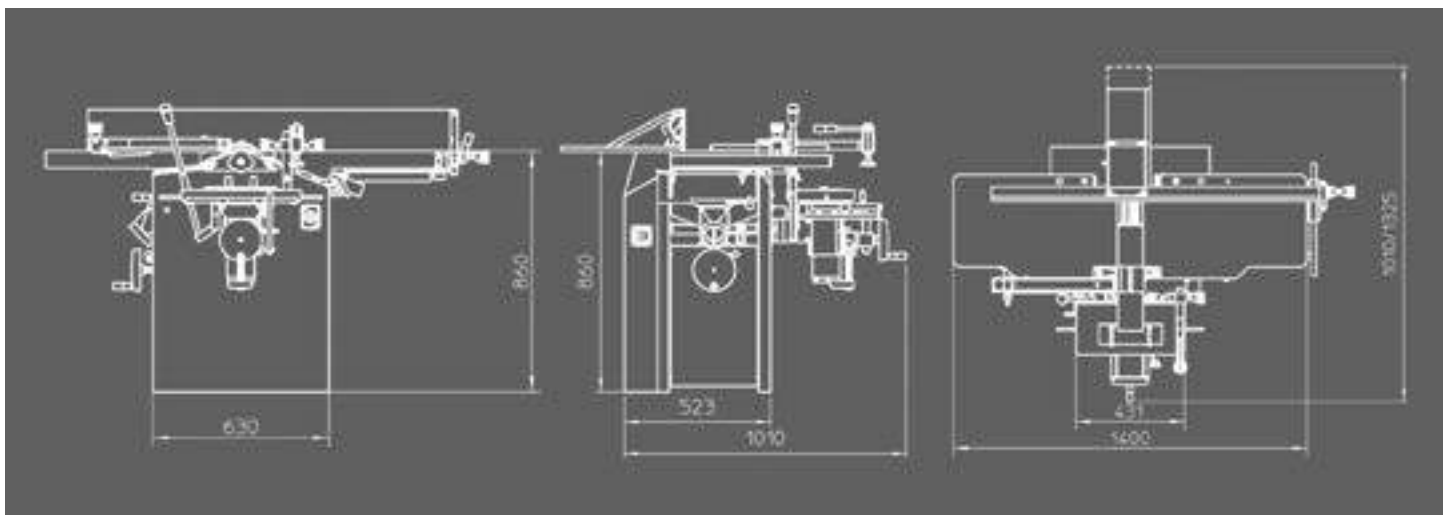
Planer width	310 mm
Total length planer tables	1400 mm
Diameter cutter block	70 mm
Number of knives	3
Dimensions knives	310 x 25 x 3 mm
Rotation speed	5500 RPM
Dimensions planer fence	1300 x 150 mm
Inclination planer fence	90° - 45°
Max. depth of cut	4 mm

Thicknesser

Dimensions thicknesser table	430 x 310 mm
Height capacity thicknesser	230 mm
Diameter feed rollers	30 mm
Max. depth of cut	4 mm
Feeding speed	6 m/min.

Mortiser (Option)

Chuck	0 - 16 mm
Travel	165 x 140 x 85 mm



NXSD410



NXSD410 with options

NXSD410 Technical Data

Weight	350 kg
Voltage	230 V Mono
	400 V - 3 Phase
Motor power 3 phase (S6)	4,85kW / 6,6 hp
Motor power single phase (S6)	2,2 kW / 3 hp
Dust suction outlet	100 mm

Planer

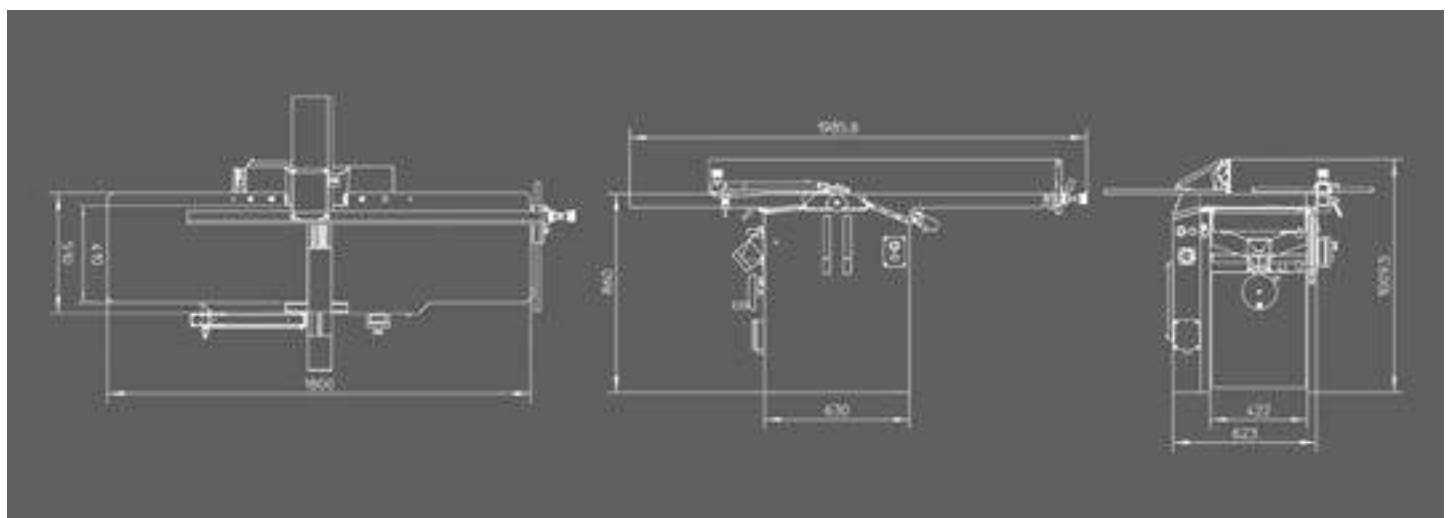
Planer width	410 mm
Total length planer tables	1800 mm
Diameter cutter block	70 mm
Knives	3
Dimensions knives	410 x 25 x 3 mm
Rotation speed	5500 RPM
Dimensions planer fence	1500 x 150 mm
Inclination planer fence	90° - 45°
Max. depth of cut	4 mm

Thicknesser

Dimensions thicknesser table	600 x 410 mm
Height capacity thicknesser	230 mm
Diameter feed rollers	30 mm
Max. depth of cut	4 mm
Feeding speed	6 m/min.

Mortiser (Option)

Chuck	0 - 16 mm
Travel	165 x 140 x 85 mm



SD410



SD410 with options

SD410 Technical data

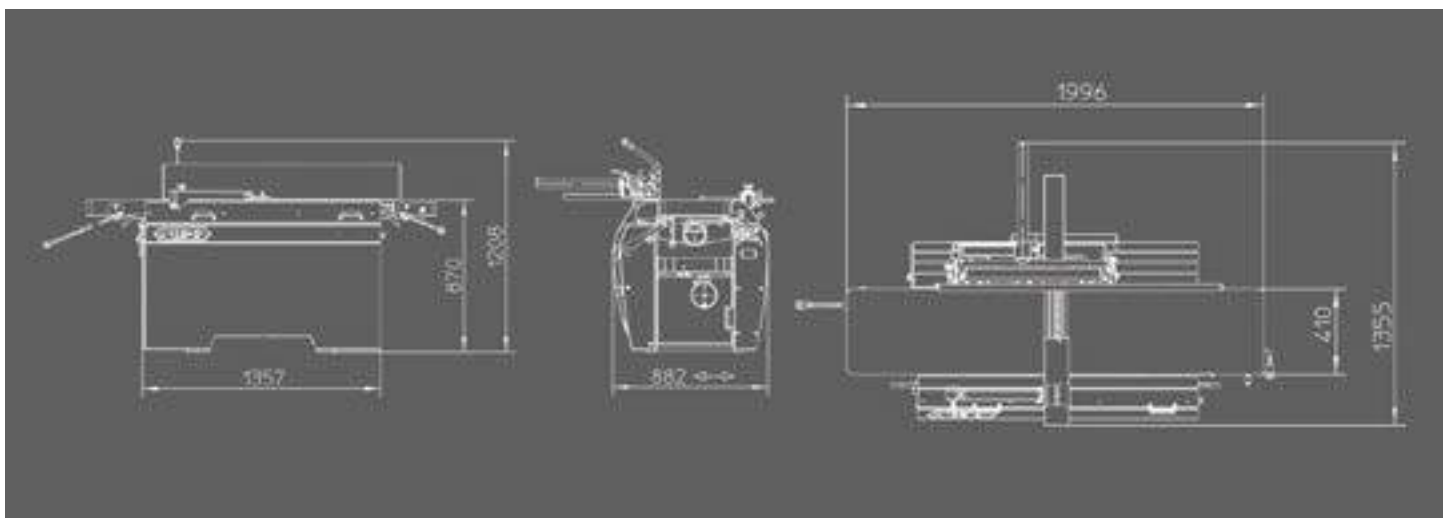
Weight	615 kg
Voltage	3 x 400 V
	3 x 220 V
Motor power (S6)	4,4 kW / 6,6 hp (option 7 kW)
Dust extraction diameter	120 mm
Diameter cutter block	90 mm
Knives	4
Dimensions knives	410 x 30 x 3 mm
Cutter block rotation speed	5500 RPM
Max. depth of cut	4 mm

Planer

Planer width	410 mm
Total length planer tables	2000 mm
Dimensions planer fence	1350 x 200 mm
Inclination planer fence	90° - 45°

Thicknesser

Thicknesser width	410 mm
Height capacity thicknesser	3 - 250 mm
Dimensions thicknesser table	870 x 410 mm
Feeding speed	6 m/min.
Feeding speed with comfort pack	6 / 12 m/min.
Diameter feed rollers	40 mm



SD510



SD510 with options

SD510 Technical data

Weight	900 kg
Voltage	3 x 400 V
	3 x 220 V
Motor power (S6)	7 kW / 9,5 hp (option 9,2 kW)
Dust extraction diameter	120 mm
Diameter cutter block	100 mm
Knives	4
Dimensions knives	510 x 30 x 3 mm
Cutter block rotation speed	6000 RPM
Max. depth of cut	6 mm

Planer

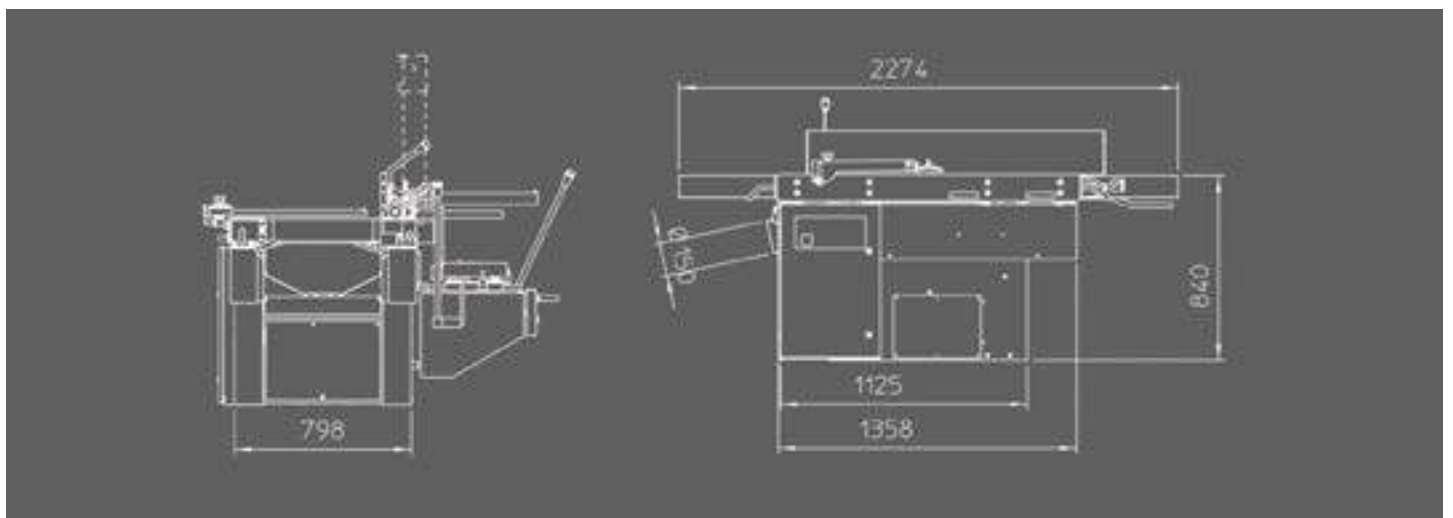
Planer width	510 mm
Total length planer tables	2250 mm
Dimensions planer fence	1350 x 200 mm
Inclination planer fence	90° - 45°

Thicknesser

Thicknesser width	510 mm
Height capacity thicknesser	3 - 250 mm
Dimensions thicknesser table	1050 x 510 mm
Feeding speed	8 / 16 m/min.
Feeding speed with comfort pack	5 / 8 / 10 / 16 m./min.
Diameter feed rollers	50 mm

Mortiser (option)

Dimensions table	600 x 300 mm
Chuck	0 - 16 mm
Travel	200 x 150 x 150 mm
Rotation speed	3000 RPM



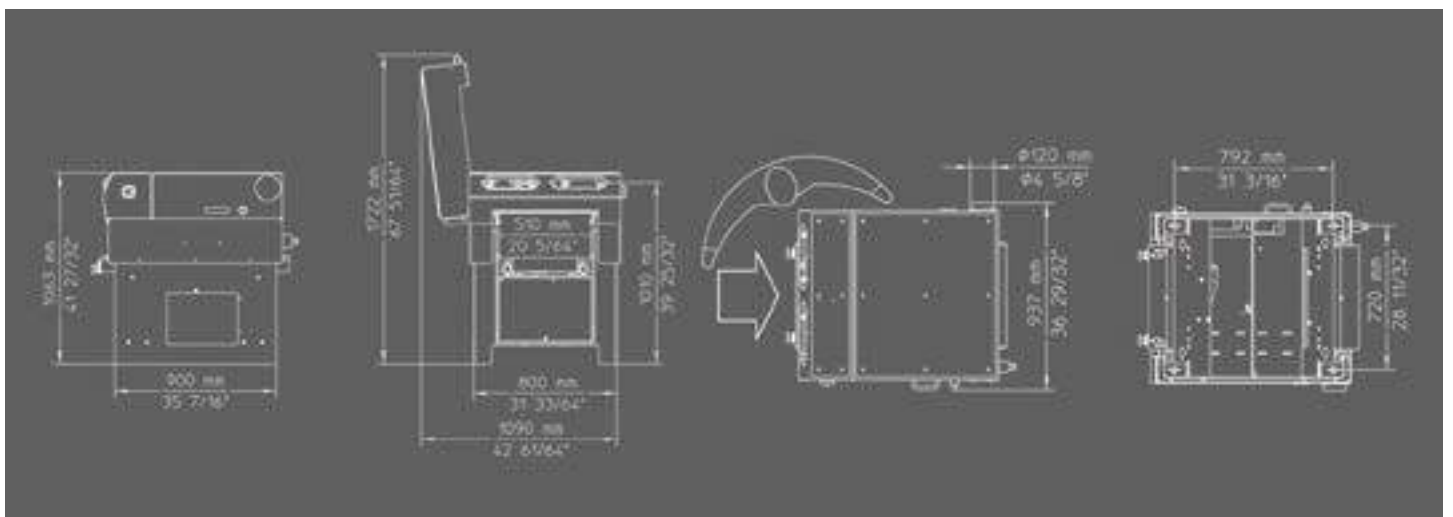
D510



D510 with options

D510 Technical data

Weight	650 kg	Thicknesser width	510 mm
Voltage	3 x 400 V	Height capacity thicknesser	3 - 250 mm
	3 x 230 V	Dimensions thicknesser table	1050 x 510 mm
Motor power (S6)	7 kW / 9,5 hp (option 9,2 kW)	Feeding speed	8 / 16 m/min.
Dust extraction diameter	120 mm	Feeding speed with comfort pack	5 / 8 / 10 / 16 m./min.
Diameter cutter block	100 mm	Diameter feed rollers	50 mm
Knives	4		
Dimensions knives	510 x 30 x 3 mm		
RPM	6000		
Max. depth of cut	6 mm		



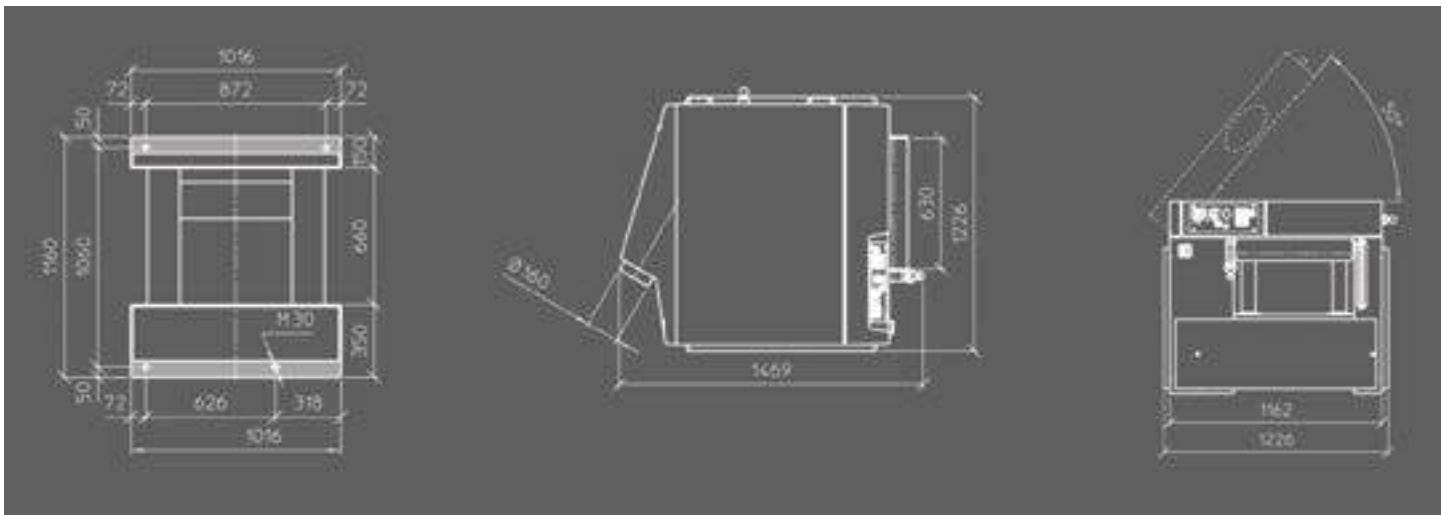
D630



D630 with options

D630 Technical data

Weight	950 kg	Thicknesser width	630 mm
Voltage	3 x 400 V	Height capacity thicknesser	3 - 300 mm
	3 x 230 V	Dimensions thicknesser table	1160 x 630 mm
Motor power (S6)	9,2 kW / 12 hp (option 14 kW)	Variable feeding speed	5 - 22 m/min.
Dust extraction diameter	120 mm	Diameter feed rollers	70 mm
Diameter cutter block	120 mm		
Knives	4		
Dimensions knives	630 x 30 x 3 mm		
RPM	5200		
Max. depth of cut	8 mm		



S410

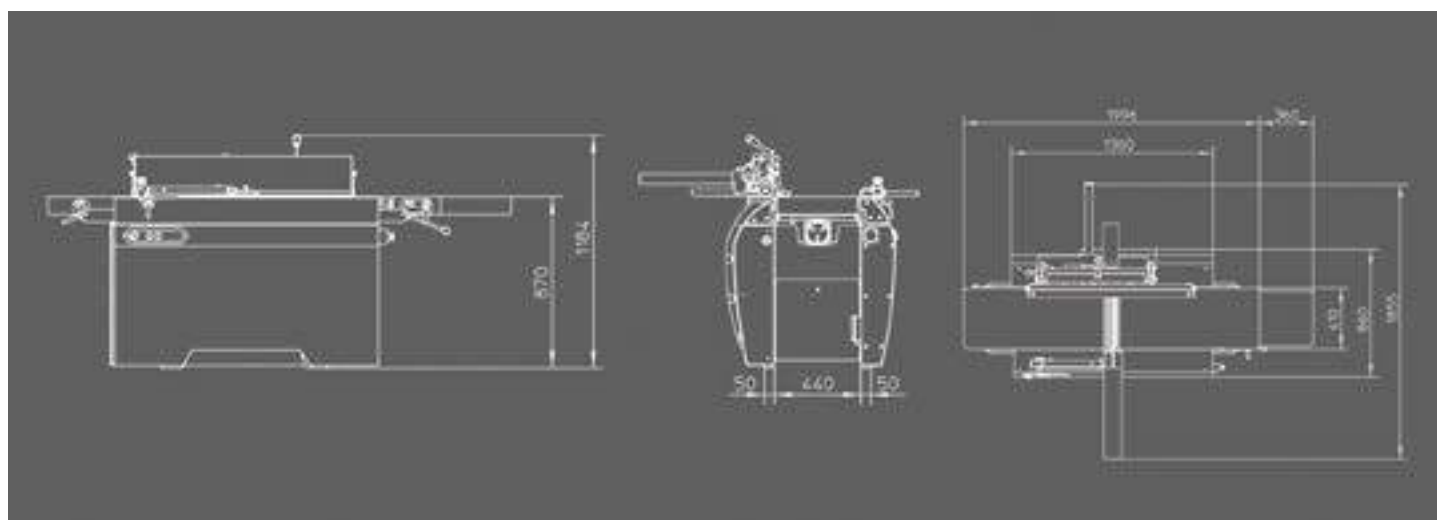


S410 with options

S410 Technical data

Weight	475 kg
Voltage	3 x 400 V
	3 x 230 V
Motor power (S6)	4,4 kW / 6,6 hp (option 7 kW)
Dust extraction diameter	120 mm
Diameter cutter block	90 mm
Knives	4
Dimensions knives	410 x 30 x 3 mm
RPM	5500
Max. depth of cut	4 mm

Planer width	410 mm
Total length planer tables	2360 mm
Dimensions planer fence	1350 x 200 mm
Inclination planer fence	90° - 45°



J510

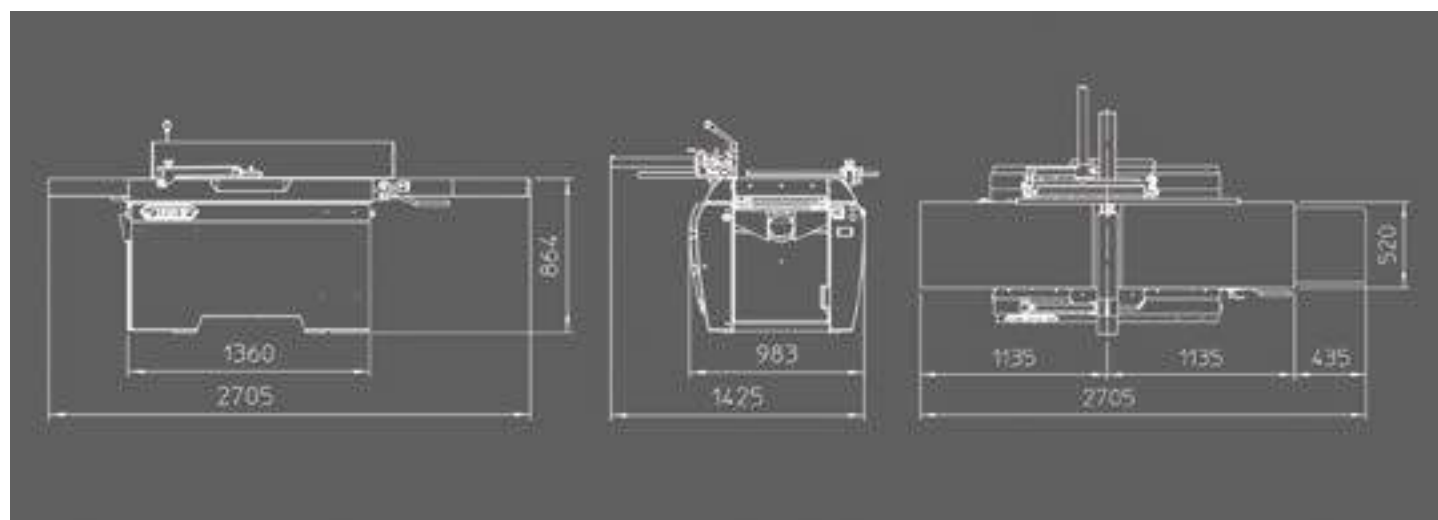


J510 with options

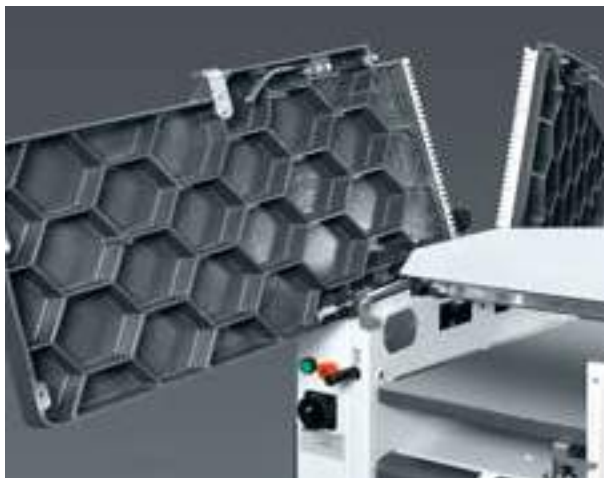
J510 Technical data

Weight	800 kg
Voltage	3 x 400 V
	3 x 230 V
Motor power (S6)	7 kW / 9,5 hp (option 9,2 kW)
Dust extraction diameter	120 mm
Diameter cutter block	100 mm
Knives	4
Dimensions knives	510 x 30 x 3 mm
RPM	6000
Max. depth of cut	6 mm

Planer width	510 mm
Total length planer tables	2705 mm
Dimensions planer fence	1350 x 200 mm
Inclination planer fence	90° - 45°



DIFFERENCES BETWEEN NXSD & SD SERIES



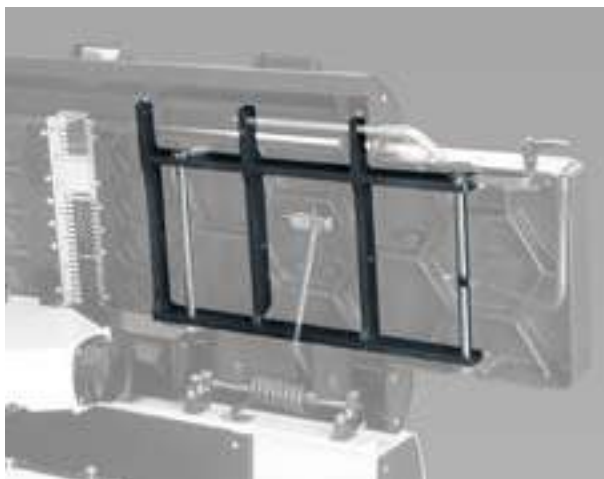
ON NXSD

The heavy cast iron tables on the NXSD models open up in butterfly wings to allow for easy access to the thickener despite of the the long planer tables.



ON SD410 & SD510

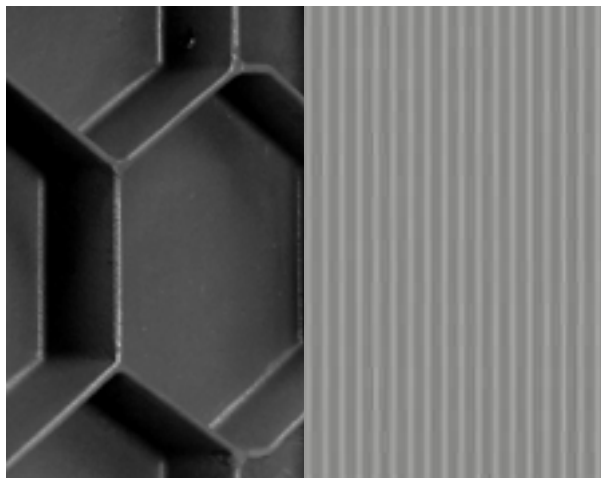
Strong springs allow the easy handling of the very heavy cast iron planer tables on the SD410 and SD510.



SUPPORTING FRAME

In comparison to our competitors we have a bigger supporting frame under the tables which covers the complete in- and outfeed table and which makes the tables even stronger and more rigid.

STRENGTHS



CAST IRON TABLES

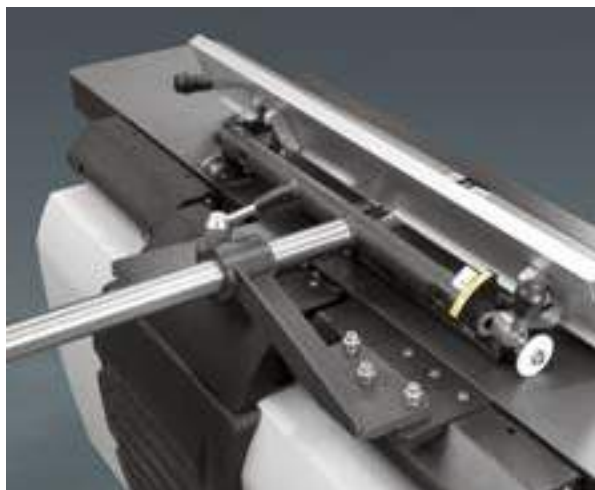
Our cast iron tables have a honeycomb structure for the highest strength per weight ratio. The surface is scraped. This technique with low energy dissipation guarantees a very flat surface. Micro-grooves are applied for easy gliding of the wooden work piece on the cast iron table.

(On NXSD410, SD410, SD510, S410, J510 & D630)



STABLE THICKNESSER TABLE

On D510, D630, SD410 and SD510 four heavy pillars support the thickener table ensuring a horizontal position of the table even under heavy, uneven load.



PLANER FENCE (ON THE SD410, SD510, S410 & J510)

The large and sturdy aluminium planer fence can be tilted to any angle between 45° and 90°.

DIFFERENT CUTTER BLOCKS



STANDARD CUTTER BLOCK

For most people this cutter block offers the best price/quality ratio. The blades can be resharpened and are easy to replace thanks to a specific magnetic toolset, delivered with the machine.



TERSAS CUTTER BLOCK

The machine can be equipped with a TERSA system, to allow for a fast exchange of the knives. TERSA blades are disposable but have 2 cutting sides.

The TERSA cutter block has a slightly lower noise level than the standard block.



SPIRAL CUTTER BLOCK

When processing hard wood types the spiral cutter block has a lower noise level and consumes less energy than a standard cutter block. The blades also typically last longer.

On hard wood the 3 rows of knives result in a high quality finishing.



HANDWHEEL WITH INTEGRATED ANALOGUE READ-OUT THICKNESSER TABLE (ON THE NXSD)

Handwheel with integrated analogue readout for the thicknesser table. This mechanical readout offers even more comfort and precision than the standard ruler.



WHEEL SET

With the wheel system consisting of two fixed wheels at one side and a swiveling wheel with steering handle at the other, you can easily move your machine. (available on the NXSD310 and NXSD410)



MORTISING UNIT ON NXSD

The smooth and easy to operate unit can be removed from the machine within minutes. It also has 2 detachable handles, easy when machining large workpieces.



MORTISING UNIT ON SD510

The smooth and easy to operate heavy duty mortising unit has a speed reduction to 3000 RPM. It also has 2 handles to move the heavy cast iron table easily. The chuck capacity is from 0 to 16 mm.



SUVAMATIC

The spring-mechanism on the SuvaMatic safety-hood makes sure that the cutter block is only revealed on the part needed to work with.



SECTIONAL INFEED ROLLER (D630)

With the sectional infeed roller it is possible to simultaneously feed different pieces with a thickness difference of maximum 2 mm. It is also possible to consistently feed one piece having a variation of maximum 2 mm in thickness over its width and/or length.



COMFORT PACK SD SERIE

- Digital read-out thicknesser table
- Additional feed speeds on thicknesser (4 speeds)
- Table extension thicknesser table (on SD410 only)
- Auxiliary fence for planing narrow workpieces
- Foldable protection on the planer



COMFORT PACK D510

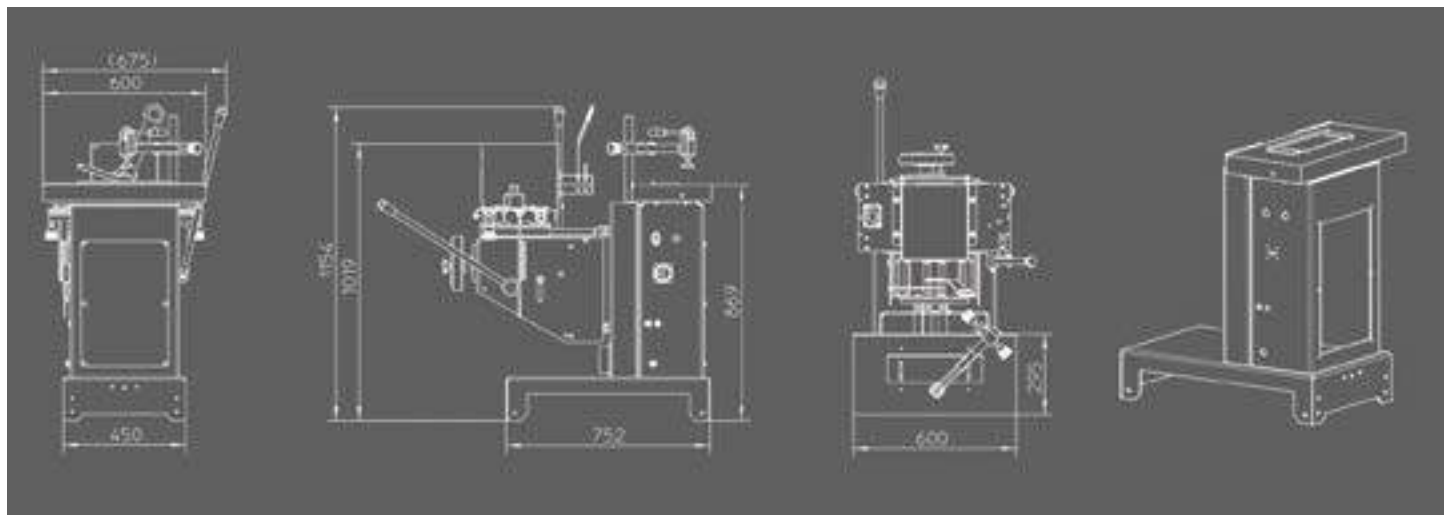
- 4 feed speeds
- Digital read-out thicknesser table



LBM with options

LBM Technical Data

Voltage	3 x 400 V 3 x 220 V
Motor power	2,2 kW / 3 hp
Weight	150 kg
RPM	3000
Tabletop size	600 x 300 mm
Horizontal movement	180 mm
Maximal drilling depth	150 mm
Vertical movement of the head	145 mm
Chuck with clamping range of	16 mm



PLANER - THICKNESSER

OVERVIEW

	NXSD310	NXSD410	SD410
Machines basics			
Planer width (mm)	310	410	410
Thicknesser width (mm)	310	410	410
Manual rise and fall thicknesser table	X	X	X
Electrical rise and fall thicknesser table	-	-	X
Min passage thicknesser			
3 mm	X	X	X
Max passage thicknesser			
230 mm	X	X	-
250 mm	-	-	X
300 mm	-	-	-
Max. depth of cut	4 mm	4 mm	4 mm
Motor powers (S6 - 40% Duty cycle)			
single phase 2,2 kW	0	-	-
3,7 kW 3 * 400 V	X	-	-
3,7 kW 3 * 220 V	0	-	-
4,4 kW 3 * 400 V	-	X	X
4,4 kW 3 * 220 V	-	-	O
7 kW 3 * 400 V	-	-	O
7 kW 3 * 220 V	-	-	O
9,2 kW 3 * 400 V	-	-	-
9,2 kW 3 * 220 V	-	-	-
14 kW 3 * 400 V	-	-	-
Spindle diameter			
70 mm	X	-	-
90 mm	-	X	X
100 mm	-	-	-
120 mm	-	-	-
Length planer tables			
1400 mm	X	-	-
1800 mm	-	X	-
2000 mm	-	-	X
2250 mm	-	-	-
2360 mm	-	-	-
2705 mm	-	-	-
Number of knives standard			
3	X	X	-
4	-	-	X
Number of knives Tersa			
3	O	O	-
4	-	-	O
Number of knives spiral			
52	O	-	-
68	-	O	O
88	-	-	-
108	-	-	-
Number of columns under thicknesser			
1 + 1 guidance	X	X	-
4	-	-	X
Digital read-outs			
Height thicknesser	-	-	O
Feed speeds thicknesser			
5 m/min.	-	-	-
6 m/min.	X	X	X
8 m/min.	-	-	-
10 m/min.	-	-	-
12 m/min.	-	-	O
16 m/min.	-	-	-
22 m/min.	-	-	-

SD510	D510	D630	S410	J510
510	-	-	410	510
510	510	630	-	-
-	-	-	-	-
X	X	X	-	-
X	X	X	X	X
-	-	-	-	-
X	X	-	X	X
-	-	X	-	-
6 mm	6 mm	8 mm	-	-
-	-	-	-	-
-	-	-	-	-
-	-	-	-	-
-	-	-	X	-
O	-	-	O	-
X	X	-	O	X
O	O	-	O	O
O	O	X	-	O
O	O	O	-	O
-	-	O	-	-
-	-	-	-	-
-	-	-	X	-
X	X	-	-	X
-	-	X	-	-
-	-	-	-	-
-	-	-	-	-
X	-	-	-	-
-	-	-	X	-
-	-	-	-	X
-	-	-	-	-
X	X	X	X	X
-	-	-	-	-
O	O	O	O	O
-	-	-	-	-
-	-	-	O	-
O	O	-	-	O
-	-	O	-	-
-	-	-	-	-
X	X	X	-	-
O	O	O	O	O
O	O	continuous variable	-	-
-	-	continuous variable	-	-
X	X	continuous variable	-	-
O	X	continuous variable	-	-
-	-	continuous variable	-	-
X	X	continuous variable	-	-
-	-	continuous variable	-	-

PANEL SAWS



NXZ



E300



E2500



Z300 SERIES



Z400 SERIES



Z500 SERIES

PLANER - THICKNESSERS



NXSD310



NXSD410



SD410

PLANERS



SD510



S410



J510

THICKNESSERS



D510



D630

HORIZONTAL SLOT MORTISER



LBM

SPINDLE - MOULDERS



T120S



T120L



T120P

TABLE SAW



T110i



M500



HX260

COMBINED MACHINES



HX310 PRO



NX310/410 PRO



NLX310/410 PRO



NXTZ PRO

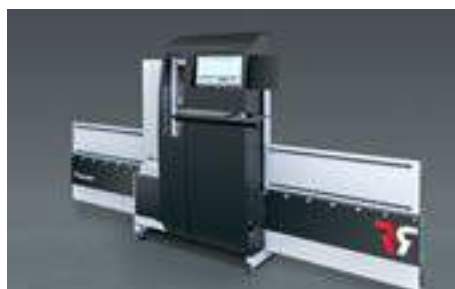


NLXTZ PRO



BM21 PRO

DRILLING MACHINES



BM3000



ALPHA



KM575

EDGEBANDERS



This brochure is for information purposes only. Robland reserves the right to modify machine configurations and specifications without prior notice. Standard configurations can change over time and by point of purchase. Please consult your local dealer for accurate and up to date information.

Robland NV
Kolvestraat 44
8000 Brugge - Belgium
Tel: +32 50 458 925
info@robland.com
www.robland.com



Follow us on Facebook
www.facebook.com/Roblandmachines



Follow us on Instagram
www.instagram.com/robland_nv



Follow us on YouTube
www.youtube.com/robland